

Active X4, 18-40GHz Broadband Pout=+18dBm, 2.92mm



Description:

AT-AM4-1840-18XC2 is a broadband frequency multiplier. The multiplier has an input frequency of 4.5-10GHz with a typical output +18dBm from 18-40GHz.

The integrated input and output buffers deliver high output power at a low drive level. The multiplier also has a typical harmonic suppression. The input port is SMA female, and the output is 2.92mm Female. Other port configurations are available under different requirement.

More information, please visit www.atmicrowave.com

Feature

- ✓ Frequency: 18-40GHz
- ✓ Pout: +18dBm typical
- ✓ Input: 5-10GHz
- ✓ Low Harmonics

Application

- ✓ 28/39GHz 5G Communication
- ✓ Test Equipment
- ✓ ROF (RF Over Fiber)
- ✓ Radar System

Electronical Specifications:

Parameter	Min	Typical	Max
Input Frequency		4.5-10GHz	
Input Power	+10	+13dBm	+16dBm
Multiplier Factor		X4	
Output Frequency	18GHz		40GHz
Output Power	+17dBm	+18dBm	
X3/X5 Suppression vs X4 Pout		-25dBc	
Drain Voltage		+5V	+8V
Current		280mA	
Spec Temp		25C	





AT-AM4-1840-18XC2

Active Multiplier x4, 18-40GHz Pout=+18dBm

Mechanical Information

Item	Description
Input Port	SMA Female
Output Port	2.92mm Female
Case Material	Copper
Finish	Gold Plated
Weight (Without Heatsink)	80g
Size:	See outline

Absolute Maximum Ratings Table

Parameter	Value
Drain Supply	+13V
RF Input Power	+20dBm
Operating Temperature	-20 to +70C
Storage Temperature	-65 to +150C

Note: -40 to 85C operating Temp range is available according to request.

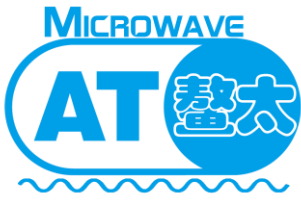
Notes:

- ✓ Datasheet may be changed according to update of MMIC, Raw materials , process, and so on.
- ✓ This data is only for reference, not for guaranteed specifications.
- ✓ Please contact AT Microwave team to make sure you have the most current data.

Part Number Selection Guide

Item	Description
PN	Stand Module with DC Power Supply
PN-LCBI	L ow Cost, C ompact B ench- T op, +220V Supply with AC/DC Adapter

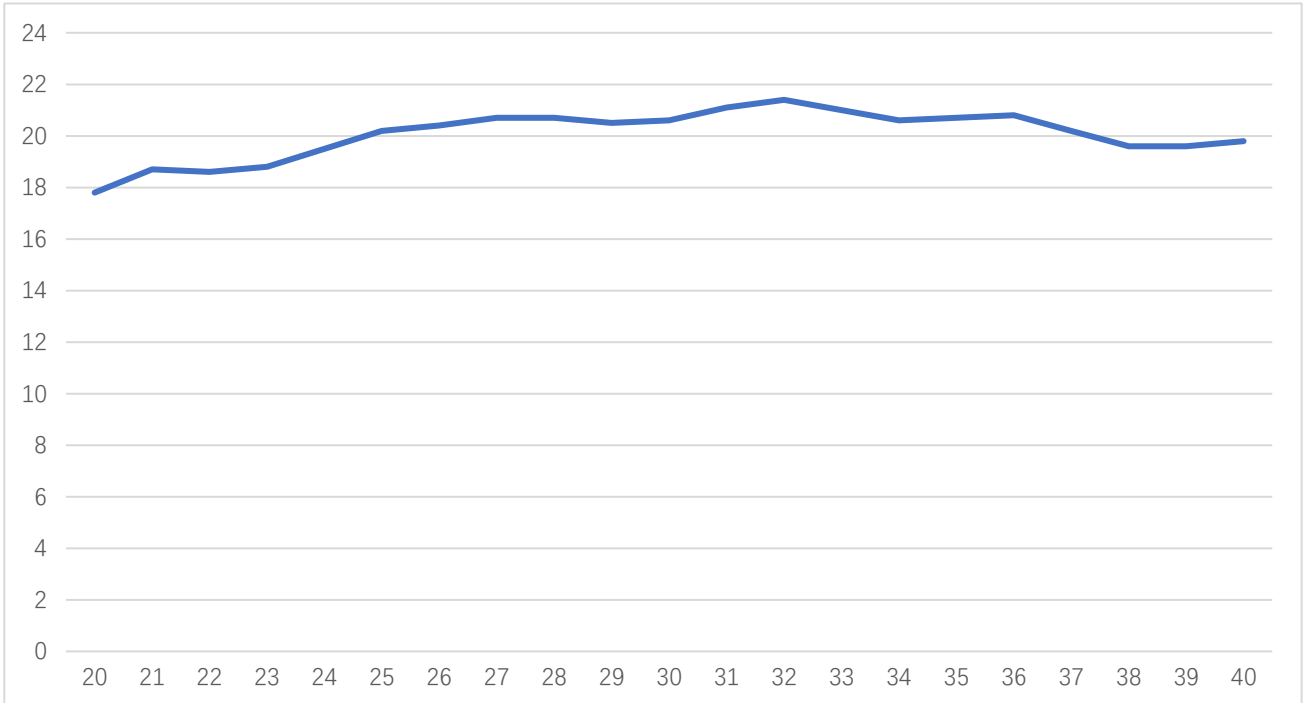




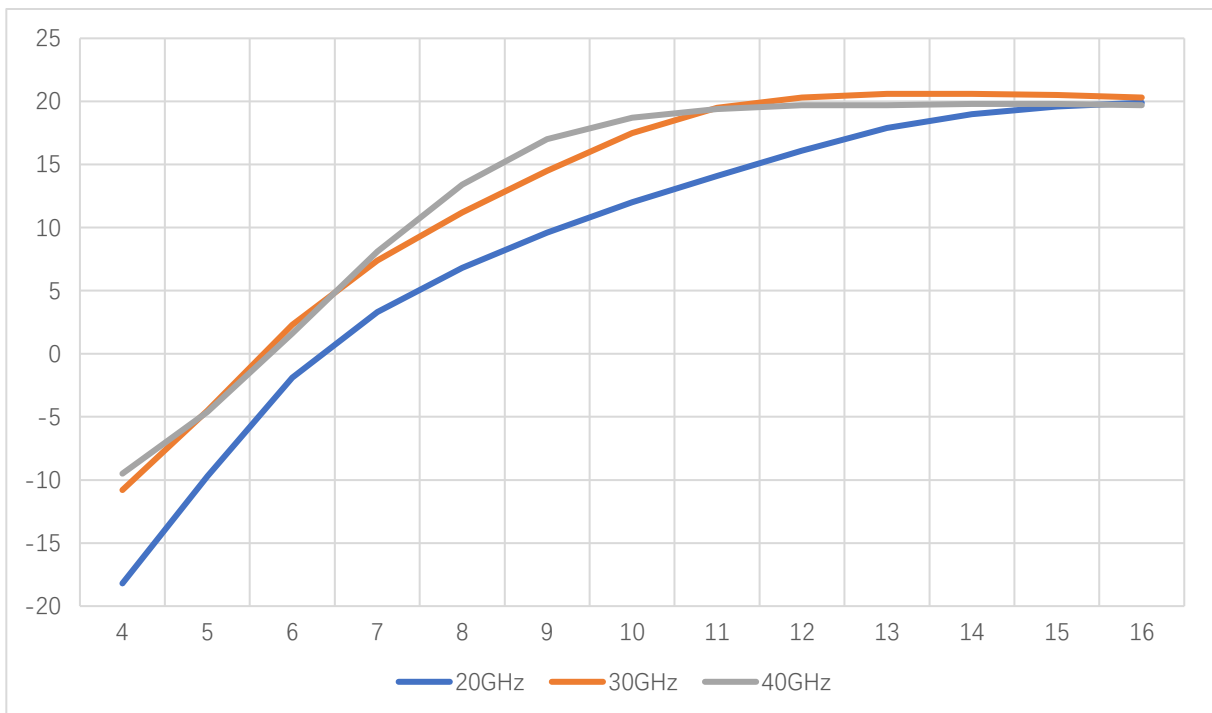
AT-AM4-1840-18XC2

Active Multiplier x4, 18-40GHz Pout=+18dBm

Test Data

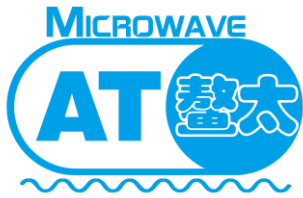


Pout vs Frequency, Pin=+13dBm



Pout vs Pin at 20/30/40GHz

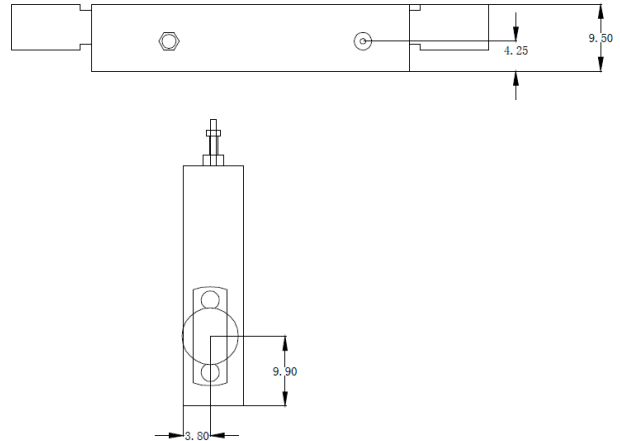
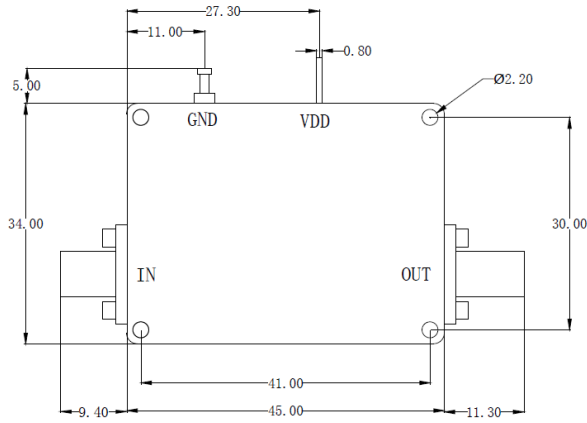




AT-AM4-1840-18XC2

Active Multiplier x4, 18-40GHz Pout=+18dBm

Dimension: (Unit:mm)



	<26.5GHz	<40GHz	<50GHz	<67GHz
Connector	SMA	2.92mm	2.4mm	1.85mm
Length of a	9.4mm	9.5mm	10.8mm	11.3mm

Note: Female Default. Contact with us for other types.

Heat Sink Required If Case Temp Higher Than 50C

